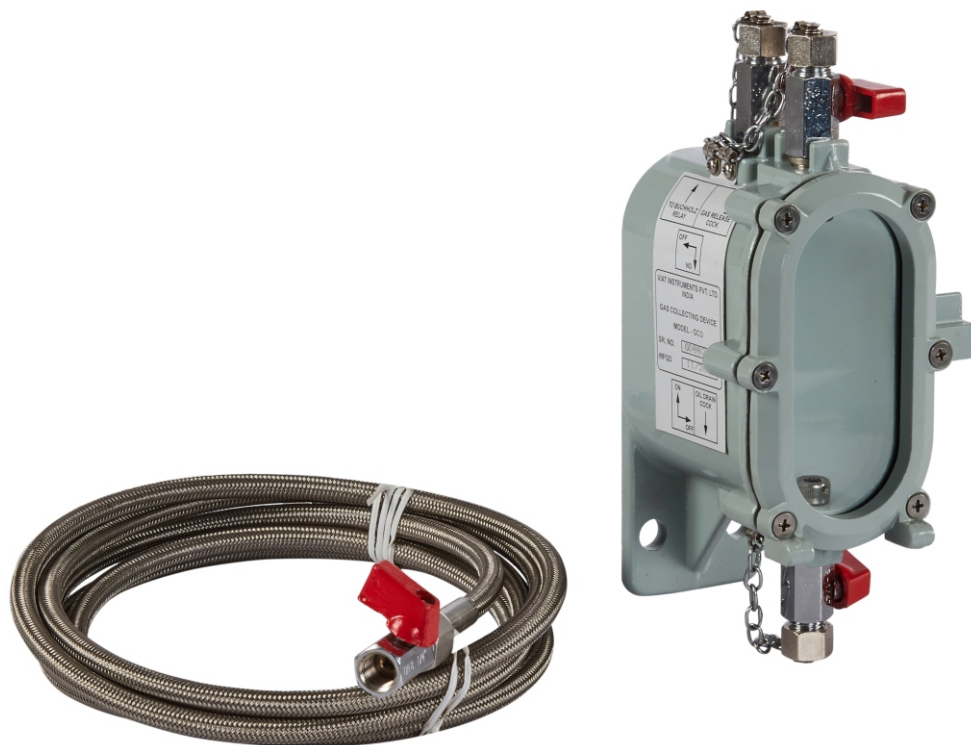


GAS COLLECTION DEVICE (GCD)

FOR LARGE/ MEDIUM POWER TRANSFORMERS

WITH / WITHOUT SS FLEXIBLE HOSE



FEATURES

- Large window allows easy viewing of gas colour
- Stainless steel tube of variable length is also available.
- Three separate valves for (I) Connecting GCD to gas pocket of Buchholz relay
(II) Connecting GCD to Gas Analyzer Equipment
(III) Draining the contents of GCD.
- Provision for optional cock for oil drain oil from Buchholz Relay.
- Robust aluminium pressure die cast body.



AT11R1

VIAT INSTRUMENTS PVT. LTD. (UNIT-I)

2701-2704, Shilpangan Phase-II, Block LB-1, Sector-III, Salt Lake, Kolkata 700 106, INDIA
Phones : +91 33 23352925, +91 9903805104

VIAT INSTRUMENTS PVT. LTD. (UNIT-II)

B28, GIDC, Sector 25 Gandhinagar, GJ 382025, India
Ph: +91 7575-804128 / 804174



E-mail : viatin@viatin.com • Website : www.viatin.com

APPLICATION :

The Gas Collecting Device (GCD) is very useful equipment which can be used to inspect the gas collected in the Buchholz Relay installed on oil filled Transformer.

The switch for Alarm, provided in BR gets initiated when collection of gas or air exceeds predetermined volume. In such event, the gas collected in BR needs to be checked to take appropriate action to avoid any further major damage to Transformer. By installing our GCD it is possible to check the contents of the BR without climbing onto the transformer.

The collected gas/air can be brought down in the GCD for inspection. The GCD is mounted at eye level. Hence the gas from BR can be inspected visually very safely. For further inspection, it is also possible to collect gas from the GCD for analysis.

CONNECTIONS

Petcock 1 - It is mounted on top of GCD. This is to be connected to the gas pocket petcock on the Buchholz relay using a tube. This allows the gas collected in the relay to be redirected into the GCD.

Petcock 2 - Mounted on top of GCD, the cock can be connected to Gas Analyzer Equipment when gas collected in GCD is to be analyzed.

Petcock 3 - Mounted at bottom of GCD, the cock is to be used for draining the contents of GCD.

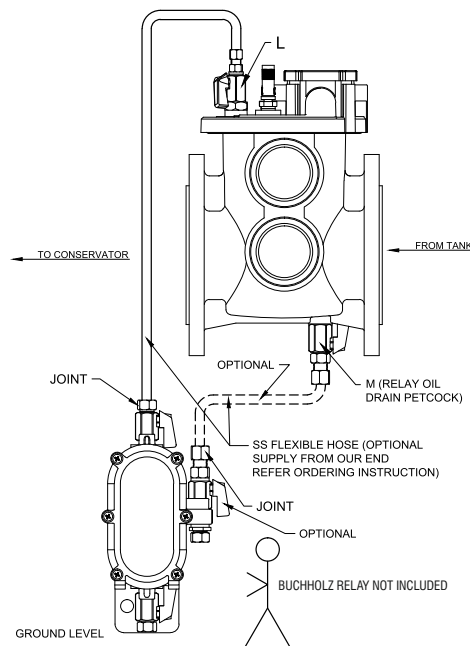
Petcock 4 (Optional at extra cost): To be used for directly draining the oil from BR. Connected to a plug/valve at the bottom of BR.

SS FLEXIBLE HOSE VS COPPER TUBE

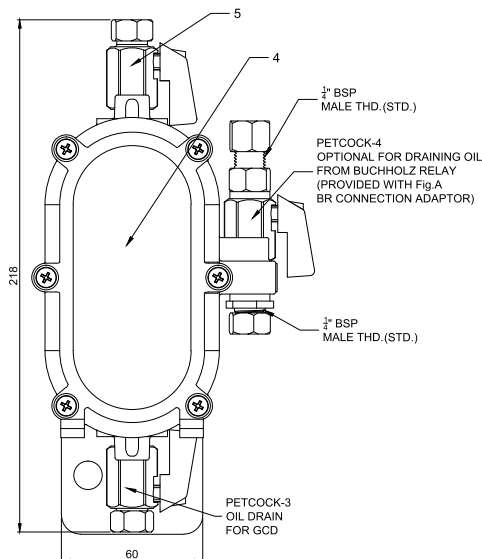
Viat offers an flexible SS hose instead of copper tube for connections between Buchholz relay and GCD. Features and advantages as below

- Very easy to install. SS flexible hose can be installed very easily on site compared to copper tubes- which tend to flatten when bent around corners
- Robust and not easily damaged like malleable copper tubes
- Available in multiple lengths according to need on site

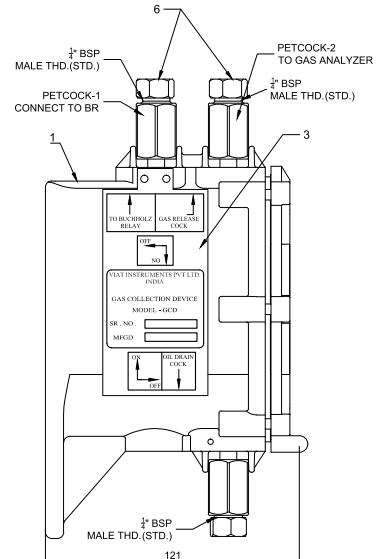
INSTALLATION SCHEMATIC



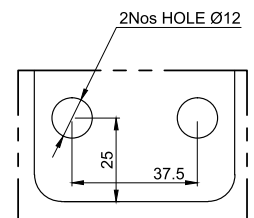
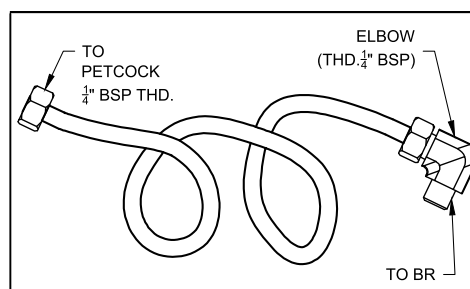
FRONT VIEW



SIDE VIEW



SS FLEXIBLE HOSE(OD-9.5, ID-6)



MOUNTING DETAIL

ORDERING AND CODING

MODEL NO.	DESCRIPTION
GCD-P	4 PETCOCK TYPE (WITH OIL DRAIN PETCOCK AND Fig.A ADAPTOR)
GCD-N	3PETCOCK TYPE (WITHOUT OIL DRAIN PETCOCK)