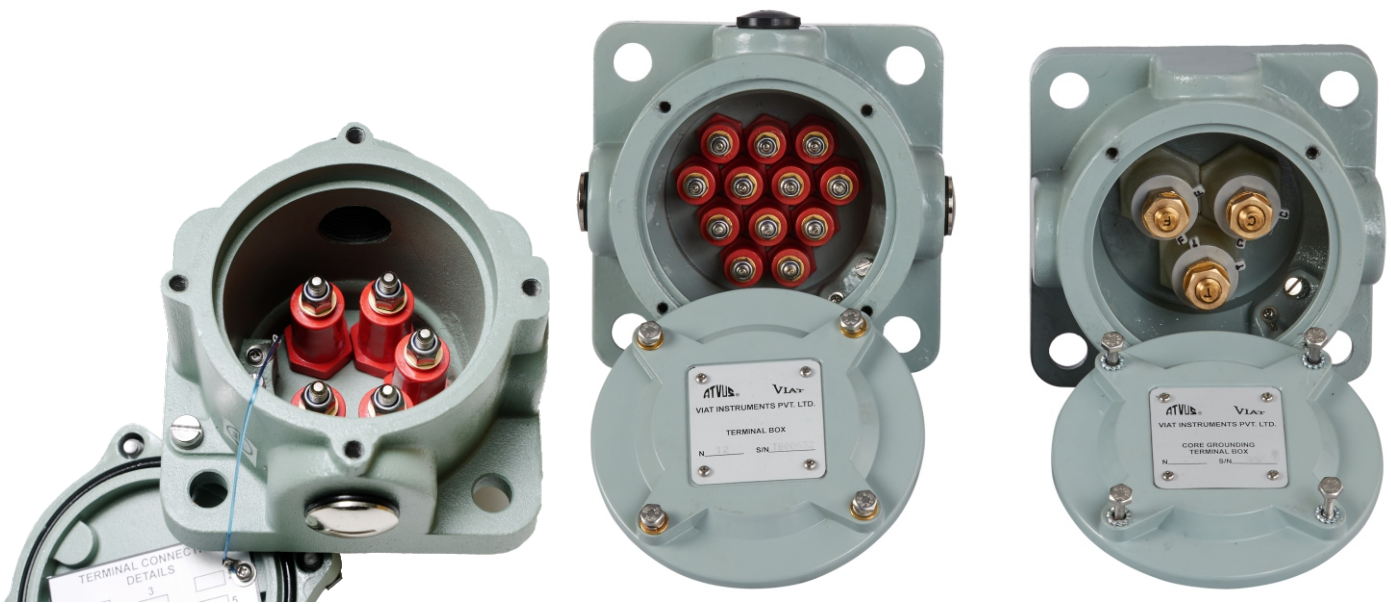


TERMINAL BOXES

WITH ALUMINIUM BODY AND USER REPLACABLE TERMINALS
CT CONNECTION TYPE : 4-12 terminals or 2-6 terminals
CORE GROUNDING TYPE : 1-3 terminals



FEATURES

- CT Terminal Box and Core grounding terminal box
- CT terminal box available upto 12 terminals in two sizes
- Core Grounding terminal box available upto 3 terminals
- Die cast aluminium body & cover assembly is rust proof, Compact and light weight
- Moulded terminal and studs with reliable O-ring sealing
- Any terminal can be replaced by user
- Fool proof mechanism with rotation protection
- Individually tested for leak, IR and HV.
- IP67/IPX7 enclosure protection

VIAT

INSTRUMENTS

AT13R1

ATVUS®

CT TERMINAL BOX: Upto 12 terminals

APPLICATION

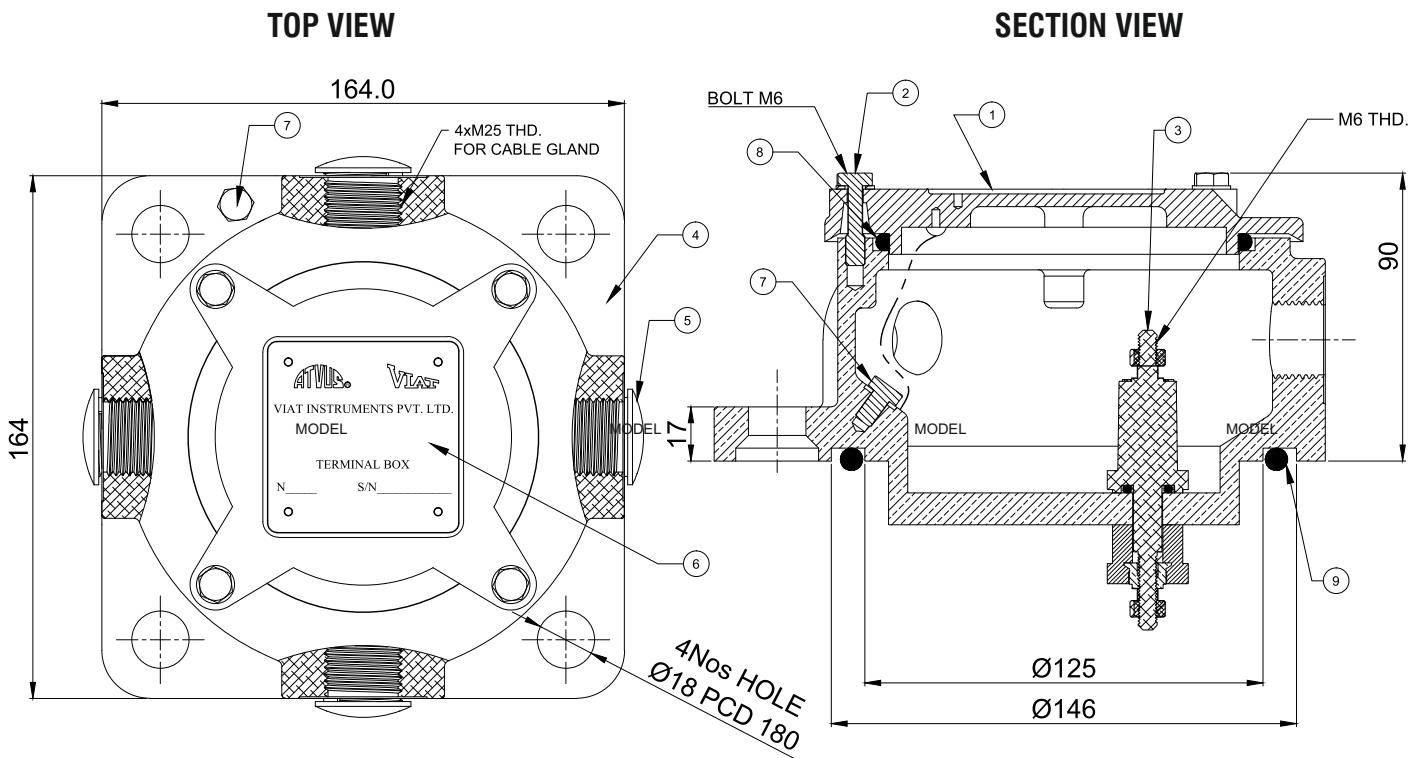
C.T. Terminal box is meant for connecting Internal Circuits to External Circuits in oil filled Transformers. They are primarily used to connect CT to internal wiring in the transformer.

VARIETY AVAILABLE

- 4, 6, 9 & 12 terminal options
- Shorting link supplied on demand

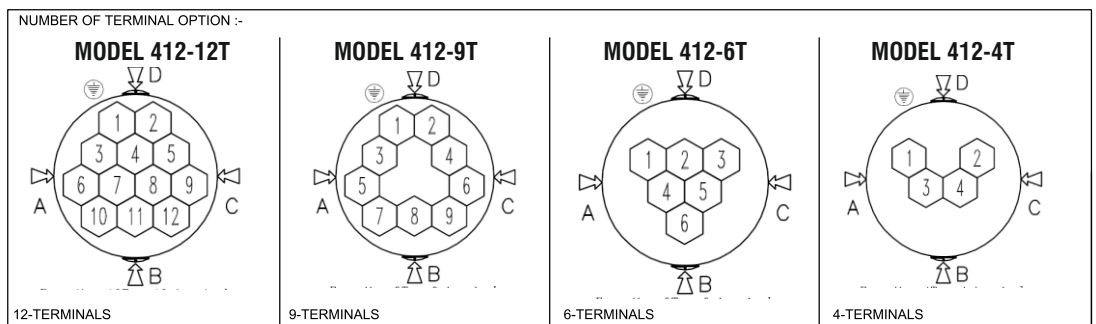
SPECIFIC FEATURES

- Four M25 cable gland entries available at every 90 degrees for easy connection of external CT wiring to terminal box contacts.
- 4, 6, 9 & 12 terminals all have same mounting for design simplicity
- Extra cable gland entries have reliable O-ring sealed entry protection
- M6 terminals



PARTS LIST	
SL	DESCRIPTION
1	TERMINAL BOX COVER
2	COVER ASSEMBLY BOLT
3	TERMINAL
4	TERMINAL BOX BODY
5	CAPS M25x1.5
6	NAME PLATE
7	GROUND CONNECTION BOLT OR SCREW (M6)
8	COVER O-RING
9	MOUNTING O-RING

VARIETY AND CODING



CT TERMINAL BOX: Upto 6 terminals

APPLICATION

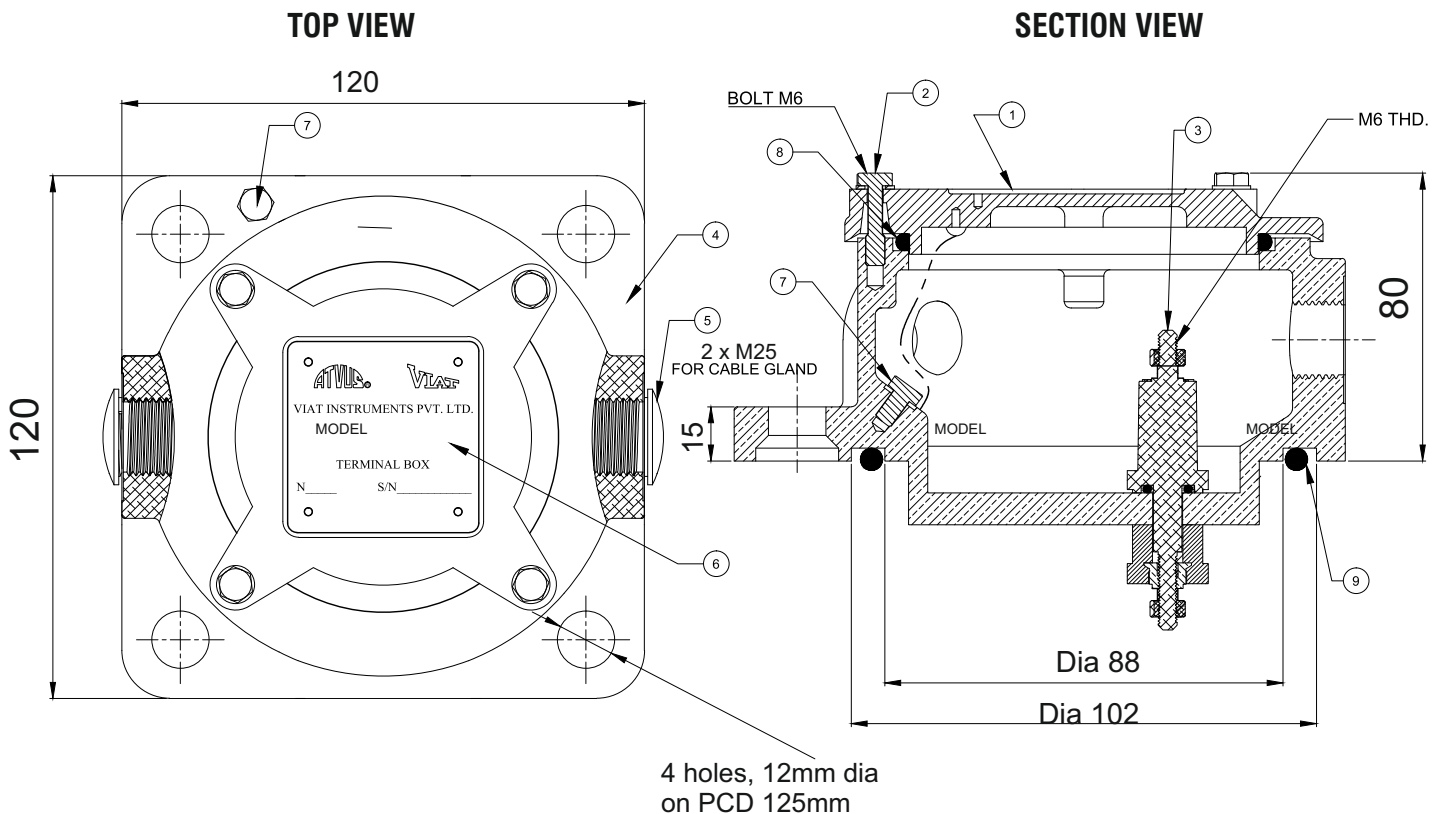
C.T. Terminal box is meant for connecting Internal Circuits to External Circuits in oil filled Transformers. They are primarily used to connect CT to internal wiring in the transformer.

VARIETY AVAILABLE

- 2,3,4,5 and 6 terminal options
- Shorting link supplied on demand

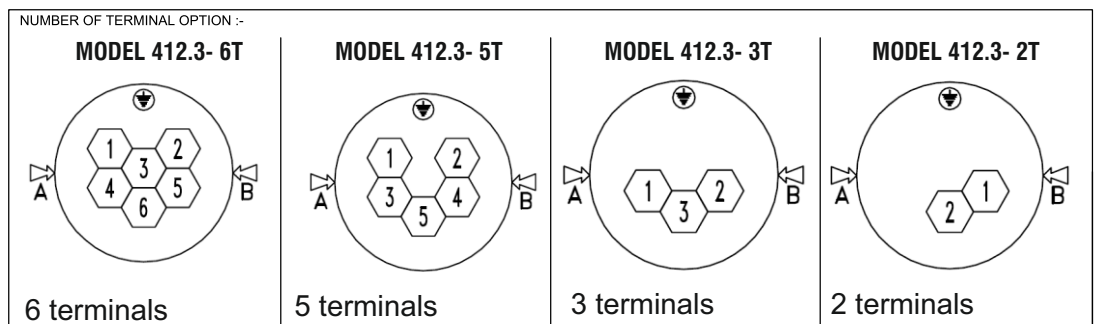
SPECIFIC FEATURES

- Two M25 cable gland entries available for easy connection of external CT wiring to terminal box contacts.
- 2,3,4,5,6 terminals all have same mounting for design simplicity
- M6 terminals
- Smaller box than 12 terminals enables smaller footprint on transformer



PARTS LIST	
SL	DESCRIPTION
1	TERMINAL BOX COVER
2	COVER ASSEMBLY BOLT
3	TERMINAL
4	TERMINAL BOX BODY
5	CAPS M25x1.5
6	NAME PLATE
7	GROUND CONNECTION BOLT OR SCREW (M6)
8	COVER O-RING
9	MOUNTING O-RING

VARIETY AND CODING



CORE GROUNDING TERMINAL BOXES

APPLICATION

Used for core grounding purpose

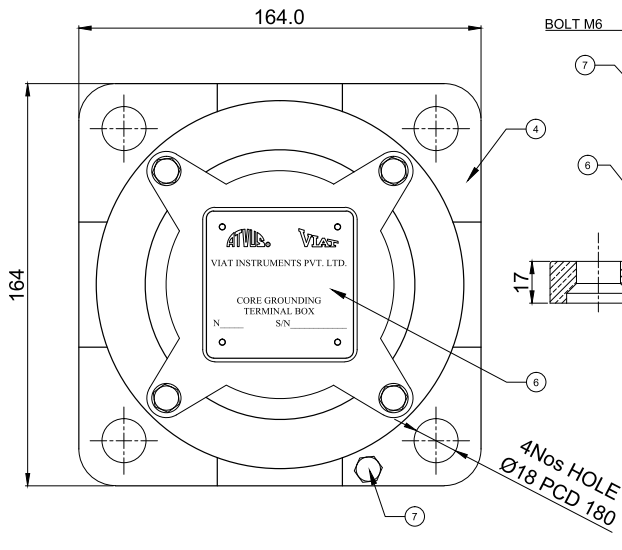
SPECIFIC FEATURES

- Withstands 10 KV between terminal to body
- M12 terminals

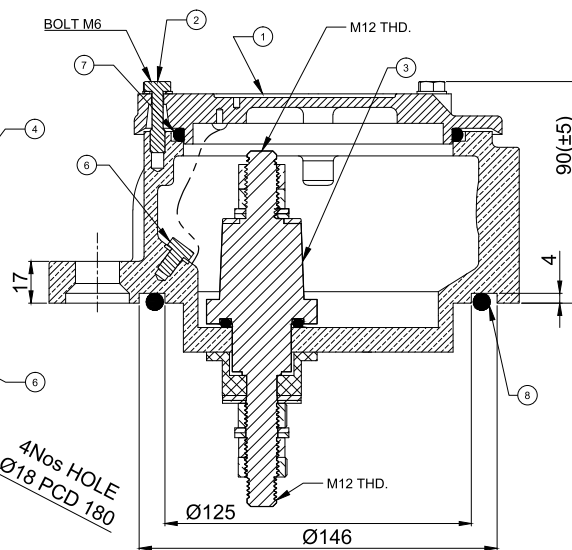
VARIETY AVAILABLE

- 1, 2 and 3 terminal models available
- Shorting link supplied with material
- Note: Number of terminals cannot be changed after supply

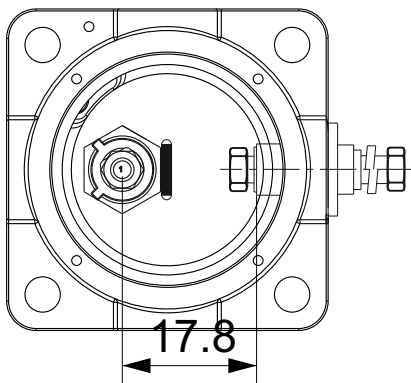
TOP VIEW



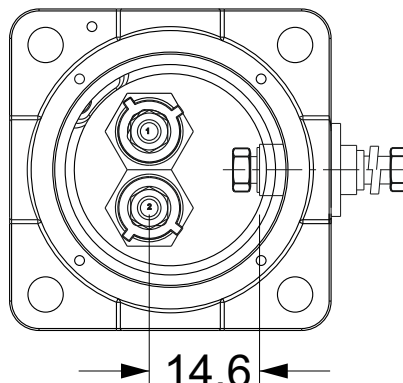
SECTION VIEW



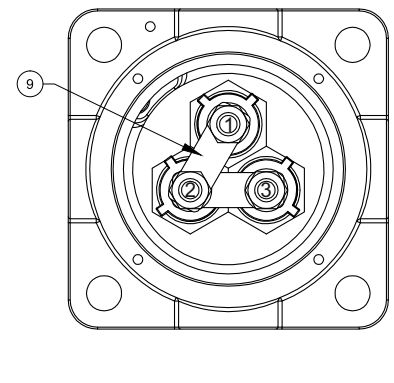
SL	DESCRIPTION
1	TERMINAL BOX COVER
2	COVER ASSEMBLY BOLT
3	TERMINAL M12
4	TERMINAL BOX BODY
5	NAME PLATE
6	GROUND CONNECTION BOLT OR SCREW (M6)
7	COVER O-RING
8	MOUNTING O-RING
9	SHORTING LINK



MODEL 412.2 1T



MODEL 412.2 2T



MODEL 412.2 3T

Due to our policy of continuous product improvement, dimensions and designs are subject to change.

VIAT INSTRUMENTS PVT. LTD. (UNIT-I)

2701-2704, Shilpangan Phase-II, Block LB-1, Sector-III, Salt Lake, Kolkata 700 106, INDIA
Phones : +91 33 23352925, +91 9903805104

VIAT INSTRUMENTS PVT. LTD. (UNIT-II)

B28, GIDC, Sector 25 Gandhinagar, GJ 382025, India
Ph: +91 7575-804128 / 804174



E-mail : viatin@viatin.com • Website : www.viatin.com

